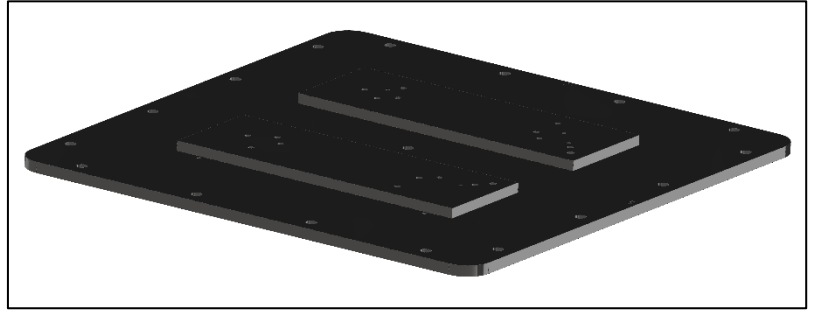


## **Robot Baseplate and Risers**

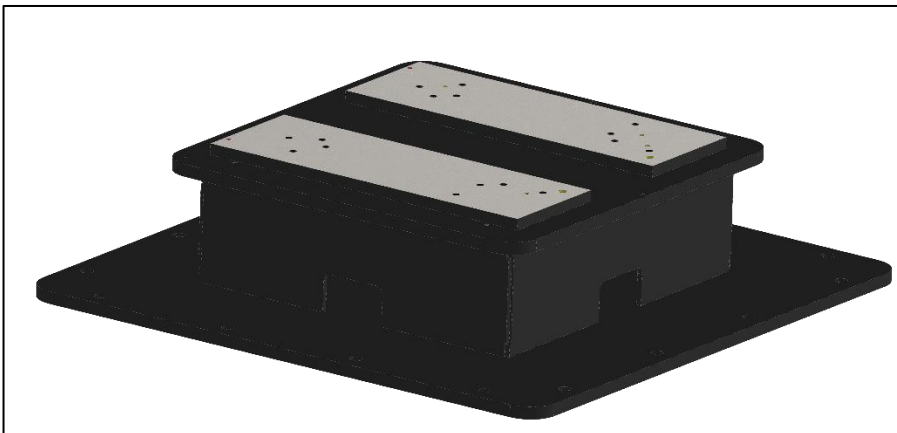
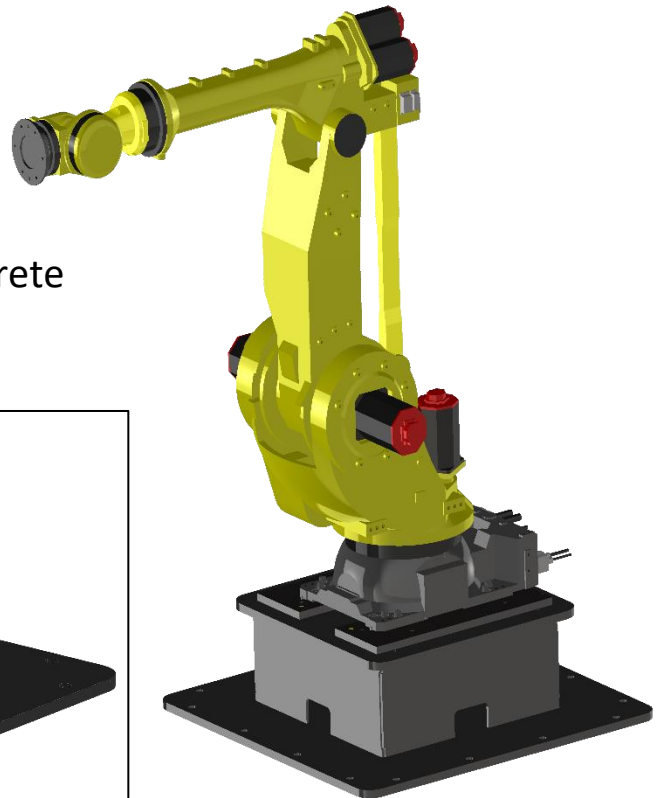
Robot Baseplates allow Robots to be Bolted down to the floor in repeatable Locations and distribute forces through the concrete. Robot Risers, or pedestals as they are otherwise known, help to increase the working envelope of the



robot and optimize the reach. Acieta offers this product line to achieve that exact purpose. Made from Hot Rolled A36 Steel, this verified design and construction is assured to increase robot longevity and last the duration of the application.

## **Features include:**

- Available in Heights from 60.5mm-975mm to fit your operation to optimize robot reach.
- Available in 2 standard colors:
  - Smooth Signal Red (FC02)
  - Textured Jet Black (FC33)
- Robust, durable, and long lasting.
- FANUC-validated methods for design and manufacture for mounting to concrete floor or other surfaces.

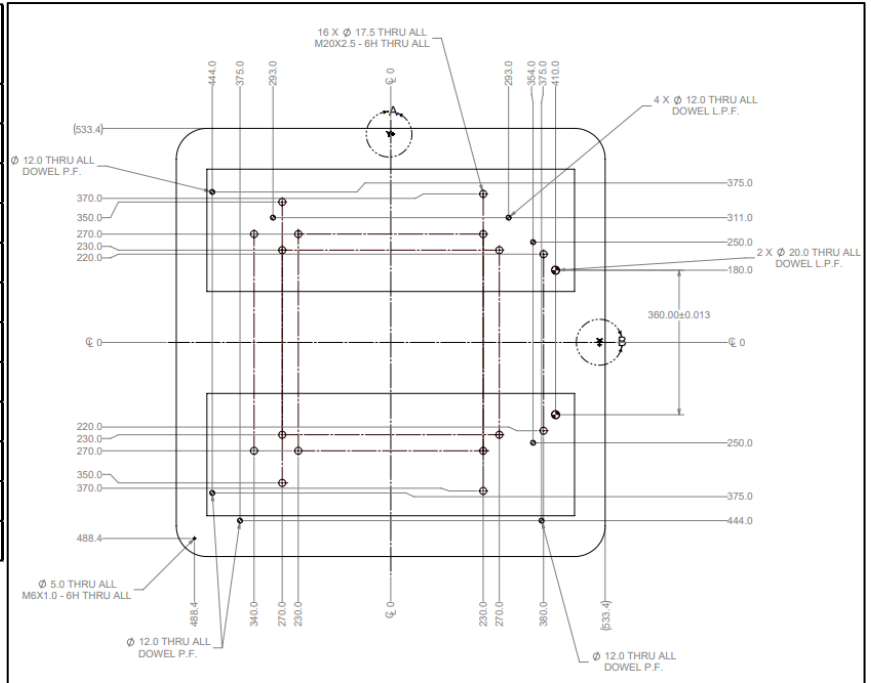


# Product Specifications

## Configurations:

Height (mm)	Weight (kg) [lbs]	Part Number
60.5	699 [1541]	0057-359-FCXX
225	1024 [2258]	0057-351-022-FCXX
300	1051 [2317]	0057-351-030-FCXX
375	1078 [2377]	0057-351-037-FCXX
450	1104 [2434]	0057-351-045-FCXX
525	1131 [2493]	0057-351-052-FCXX
600	1158 [2553]	0057-351-060-FCXX
675	1185 [2612]	0057-351-067-FCXX
750	1213 [2674]	0057-351-075-FCXX
825	1240 [2734]	0057-351-082-FCXX
900	1267 [2793]	0057-351-090-FCXX
975	1294 [2853]	0057-351-097-FCXX

## Top Plate Hole Specifications:

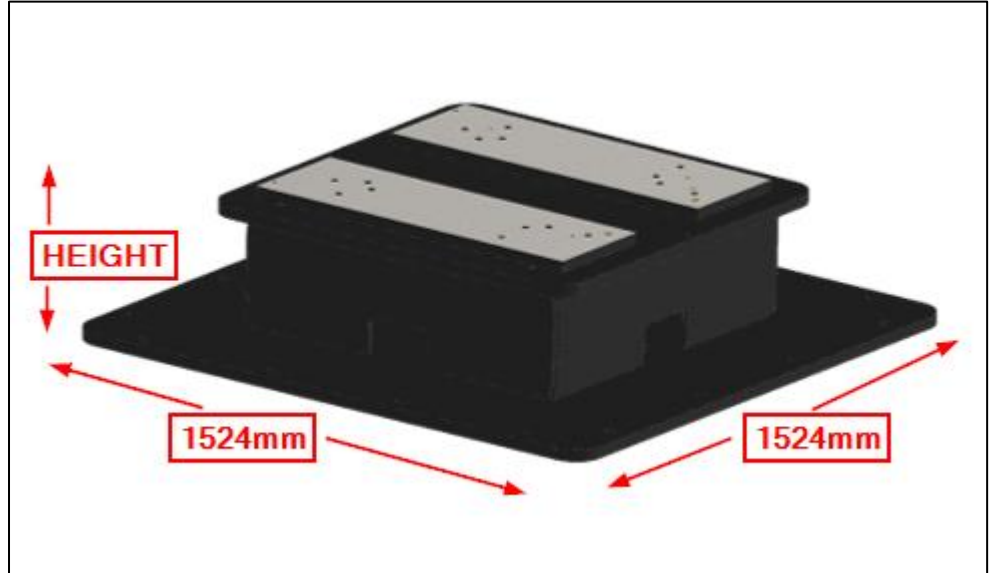
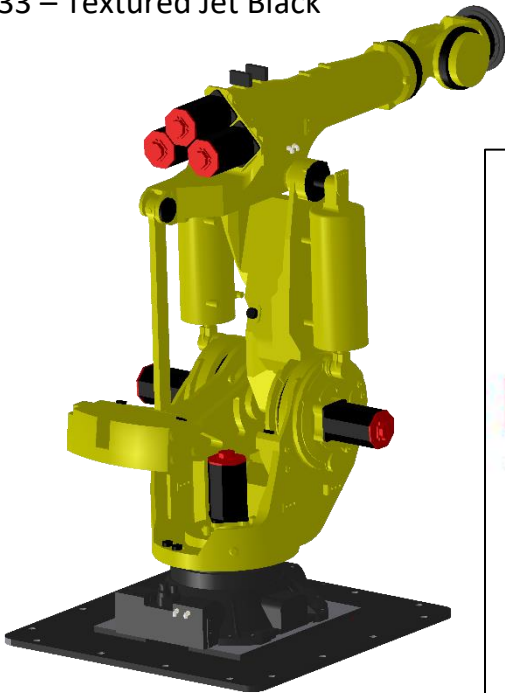


\*Complete Finish Code for part number.

Finish Codes:

FC02 – Smooth Signal Red

FC33 – Textured Jet Black



## Concrete Requirements:

- Minimum Concrete Depth: 200mm (7.875")
- Concrete Flatness: 0.5mm (0.02")
- Maximum Concrete Incline: 0.5 degrees.

## Optional:

Anchoring Epoxy kit: 1044-538 (Includes epoxy gun and 30 oz. of epoxy for Anchoring.)

Hardware Pack: 1051-825 (Includes all necessary mounting hardware for Robot and Anchors.)

TRAINING, PARTS, PREVENTIVE MAINTENANCE AND 24/7 SERVICE • STANDARD AND CUSTOM ROBOTIC SOLUTIONS

[shop.acieta.com](http://shop.acieta.com) | 844-4-ACIETA | [info@acieta.com](mailto:info@acieta.com)

Acieta is a leading FANUC Authorized System Integrator and certified A3 Robotics Integrator.

300-1005 Rev: A