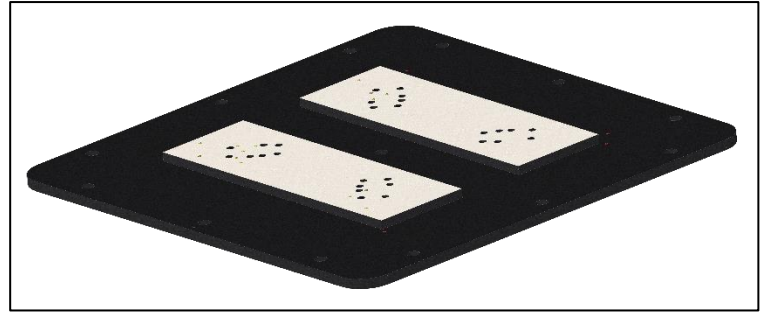


## **Robot Baseplate and Risers**

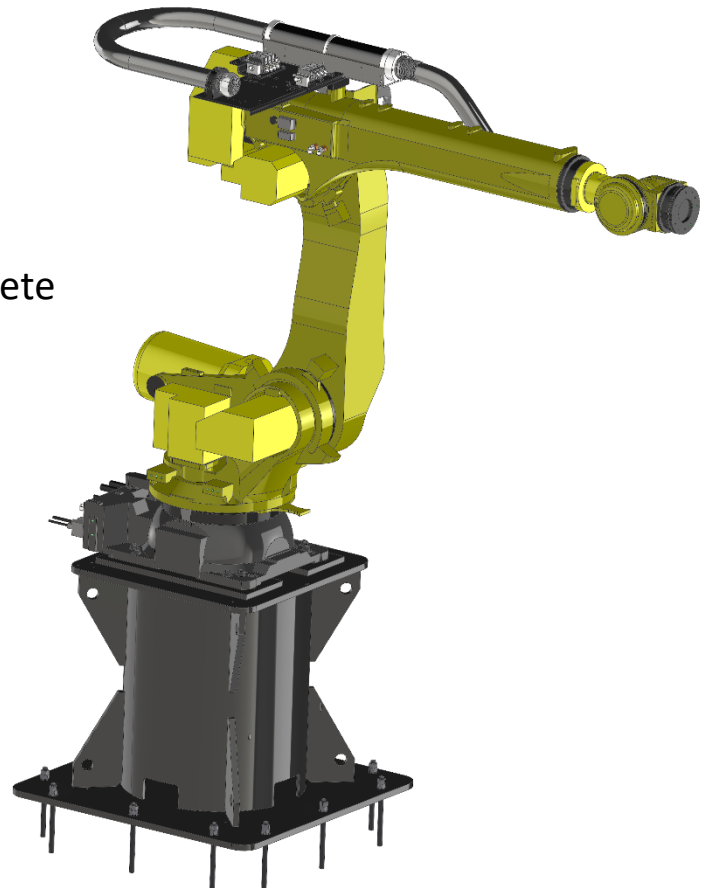
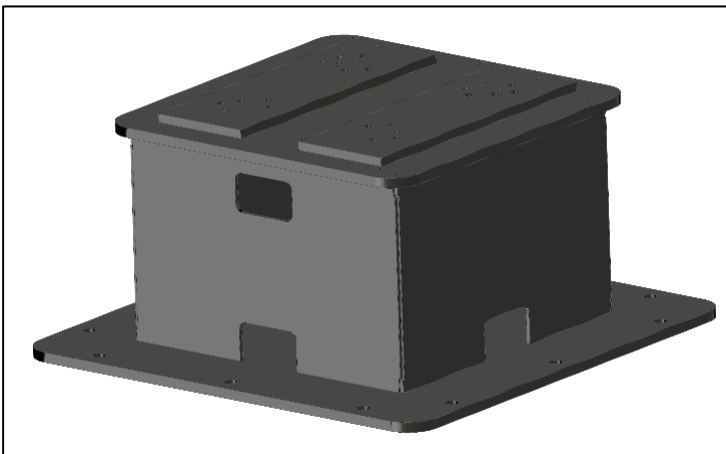
Robot Baseplates allow Robots to be Bolted down to the floor in repeatable Locations and distribute forces through the concrete. Robot Risers, or pedestals as they are otherwise known, help to increase the working envelope of the



robot and optimize the reach. Acieta offers this product line to achieve that exact purpose. Made from Hot Rolled A36 Steel, this verified design and construction is assured to increase robot longevity and last the duration of the application.

## **Features include:**

- Available in Heights from 48mm-2500mm to fit your operation to optimize robot reach.
- Available in 2 standard colors:
  - Smooth Signal Red (FC02)
  - Textured Jet Black (FC33)
- Robust, durable, and long lasting.
- FANUC-validated methods for design and manufacture for mounting to concrete floor or other surfaces.

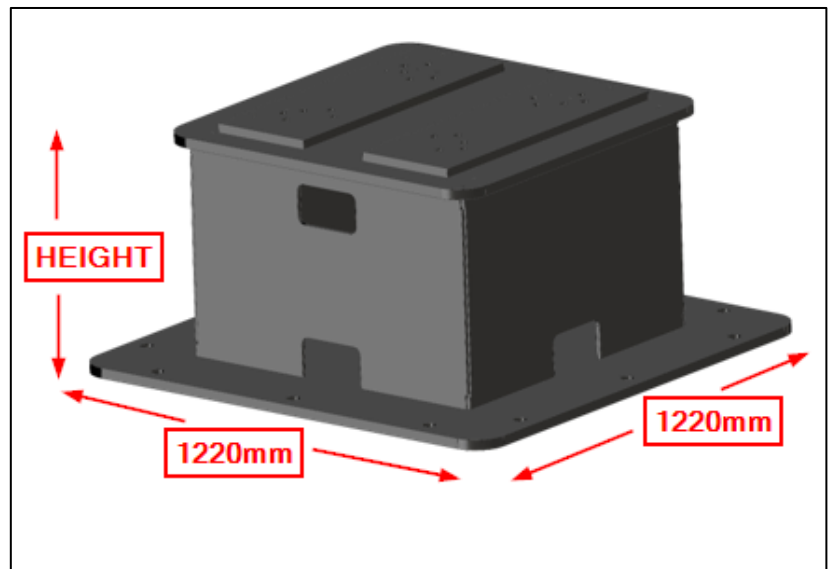
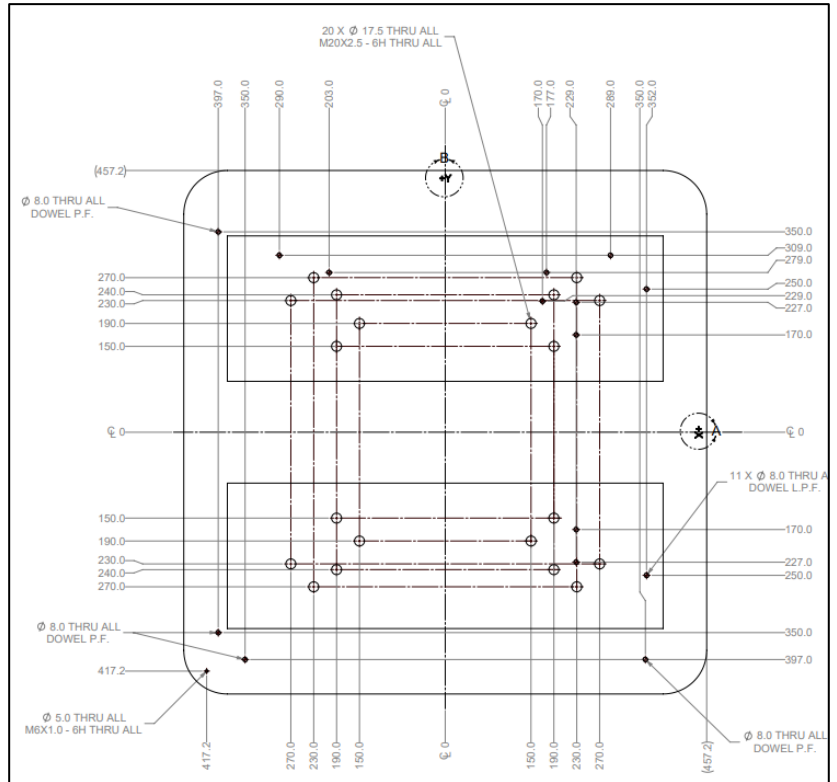


# Product Specifications

## Configurations:

Height (mm)	Weight (kg) [lbs]	Part Number
48	359 [791]	0057-346-FCXX
225	558 [1230]	0057-334-022-FCXX
300	576 [1270]	0057-334-030-FCXX
375	594 [1320]	0057-334-037-FCXX
450	612 [1350]	0057-334-045-FCXX
525	630 [1390]	0057-334-052-FCXX
600	648 [1430]	0057-334-060-FCXX
675	665 [1470]	0057-334-067-FCXX
750	684 [1510]	0057-334-075-FCXX
825	702 [1550]	0057-334-082-FCXX
900	720 [1590]	0057-334-090-FCXX
975	738 [1630]	0057-334-097-FCXX
1000	820 [1808]	0057-335-100-FCXX
1100	844 [1862]	0057-335-110-FCXX
1200	868 [1914]	0057-335-120-FCXX
1300	892 [1968]	0057-335-130-FCXX
1400	916 [2020]	0057-335-140-FCXX
1500	938 [2068]	0057-335-150-FCXX
1600	962 [2122]	0057-335-160-FCXX
1700	986 [2174]	0057-335-170-FCXX
1800	1010 [2228]	0057-335-180-FCXX
1900	1034 [2280]	0057-335-190-FCXX
2000	1056 [2330]	0057-335-200-FCXX
2100	1080 [2382]	0057-335-210-FCXX
2200	1104 [2434]	0057-335-220-FCXX
2300	1126 [2484]	0057-335-230-FCXX
2400	1150 [2536]	0057-335-240-FCXX
2500	1174 [2590]	0057-335-250-FCXX

## Top Plate Hole Specifications:



\*Complete Finish Code for part number.

Finish Codes:

FC02 – Smooth Signal Red

FC33 – Textured Jet Black

### Concrete Requirements:

- Minimum Concrete Depth: 200mm (7.875")
- Concrete Flatness: 0.5mm (0.02")
- Maximum Concrete Incline: 0.5 degrees.

### Optional:

Anchoring Epoxy kit: 1044-538 (Includes epoxy gun and 30 oz. of epoxy for Anchoring.)

Hardware Pack: 1051-820 (Includes all necessary mounting hardware for Robot and Anchors.)

TRAINING, PARTS, PREVENTIVE MAINTENANCE AND 24/7 SERVICE • STANDARD AND CUSTOM ROBOTIC SOLUTIONS

[shop.acieta.com](http://shop.acieta.com) | 844-4-ACIETA | [info@acieta.com](mailto:info@acieta.com)

*Acieta is a leading FANUC Authorized System Integrator and certified A3 Robotics Integrator.*

300-1009 Rev: A